

WATER

CP300i



Diesel Drive Auto Prime Contractor Pump

The Contractors pump range has been designed to provide greater cost efficient fluid handling solutions for all users.

The range offers efficiency levels of 83% which translate into benefits for the end user and the environment.

Contractors pumps are a fully automatic priming pump and can run dry for extended periods due to the oil bath

mechanical seal assembly which allows priming with long suction hoses and suction lifts of up to 9 metres (28 feet). As fluid levels fluctuate, the pump will "snore" until the liquid is available for the pump to fully reprime itself automatically.

Built with the highest quality materials , 316 SS Impeller and wear plates as standard.

CONTRACTORS RANGE

www.allightprimax.com

ALLIGHTPRIMAX



Features

- Low fuel usage
- Reduced engine sizes
- Lower maintenance costs
- Dry self prime and reprime
- Close coupled SAE Bearing Frames
- Suction lifts to 9m
- Operates in 'snore' conditions
- Vacuum Priming option available for ground dewatering.

- Diesel, electric or hydraulic drive
- Solids handling
- Simple maintenance
- Replaceable wear parts
- Chassis - skid, road tow, wheeled, caged
- Powered by Perkins or Cat Engines.
- Other engines available on request
- Custom build available
- Sykes purpose built Control panel

Application

- Construction
- Environmental
- Industrial
- Mining
- Clean Water
- Sludge
- Slimes
- Sewage
- Solids laden liquids
- Ground Dewatering
- Pipeline & Drilling
- Jetting
- Quarries

Technical Data

MATERIALS OF CONSTRUCTION

Pump Casing:	S.G. IRON 400/12
Suction Cover:	S.G. IRON 400/12
Air Separation Tank:	S.G. IRON 400/12
Bearing Bracket:	S.G. IRON 400/12
Pump Shaft:	431 Stainless Steel
Impeller:	316 Stainless Steel
Wearplates:	316 Stainless Steel
Mechanical Seal:	Silicon Carbide Cartridge c/w seal pumping ring and glycol quench
N.R.V. (Ball Type):	S.G. IRON 400/12

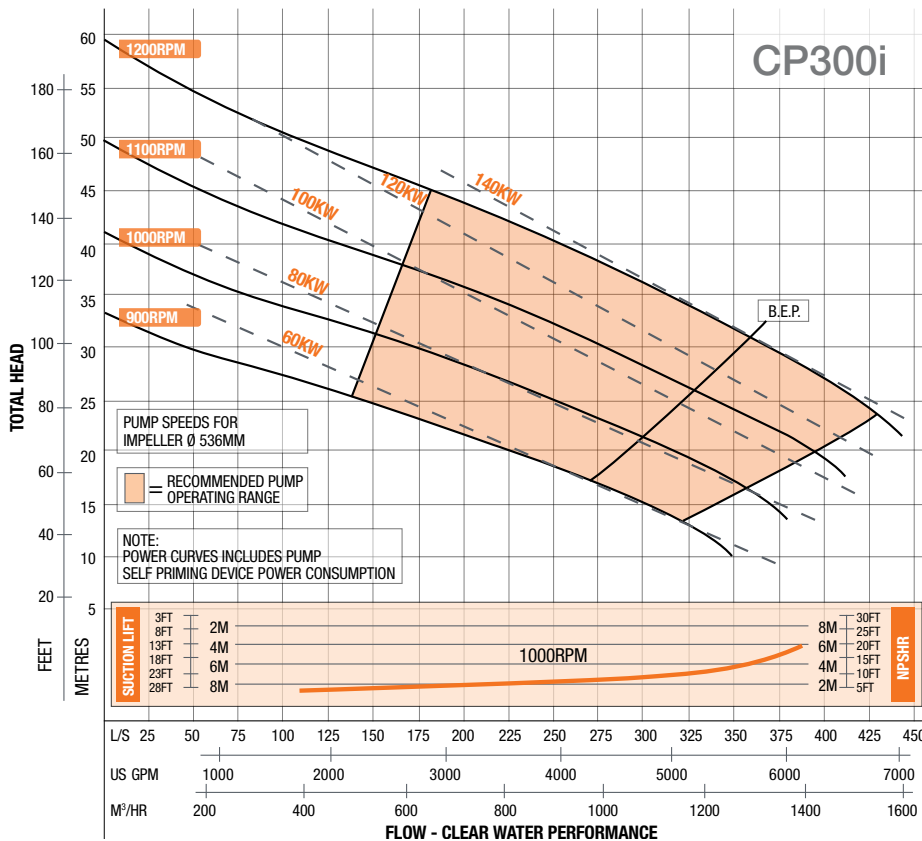
DESIGN DETAILS

Single Stage, end suction type, 2 vane fully open impeller, Centrifugal pump
 Suction Flange (mm/in): 300/12
 Delivery Flange (mm/in): 300/12
 Solids Handling Size (mm/in): 90/30
 Maximum Head (m/ft): 59/197
 Maximum Capacity: 445 L/sec

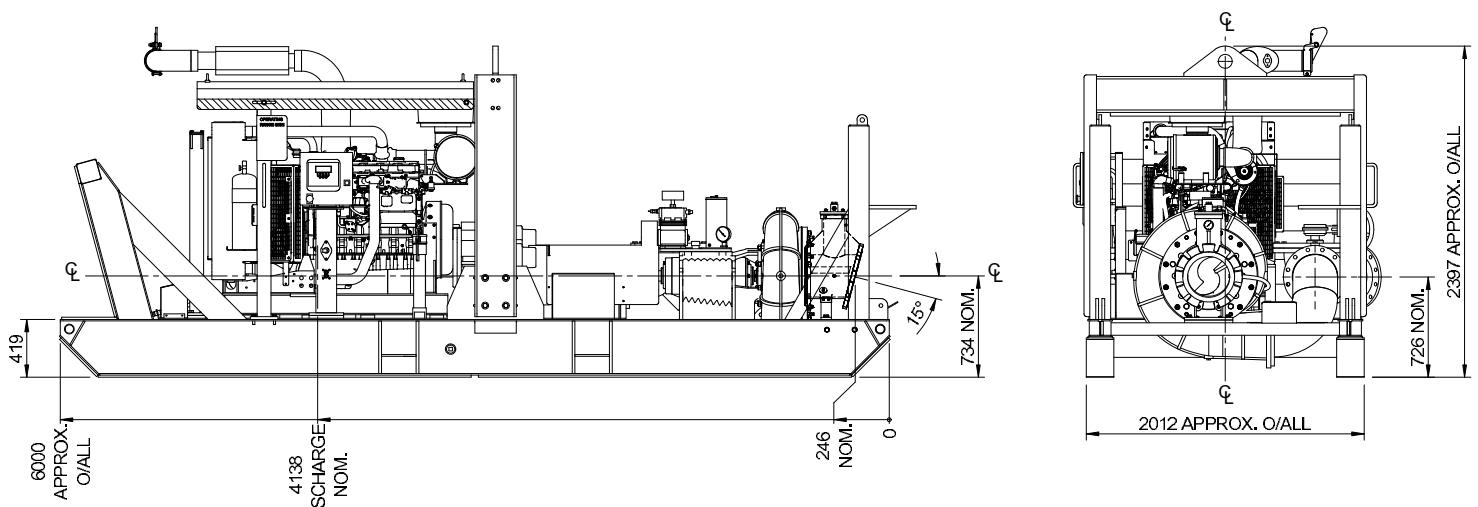
FUEL USAGE L/HR @ BEP

Speed (rpm)	POWER USAGE (kW)	FUEL RATE (L/hr)	RUN TIME (hrs - 1000L fuel tank)
900	60	14.82	81
1000	82	20.26	59
1100	108	26.68	45
1200	138	34.09	35

CALCULATIONS BASED ON 210 g/kw.hr



Dry Weight: 7370 kg
 Fuel Capacity: 1200 litres



ALLIGHTPRIMAX

www.allightprimax.com

